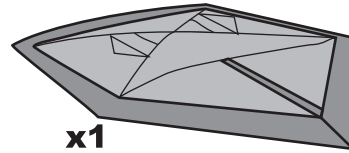
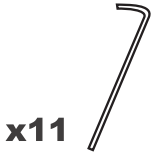
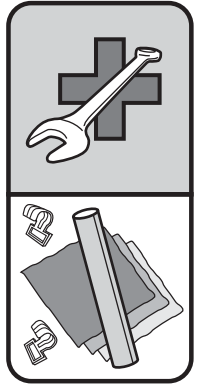
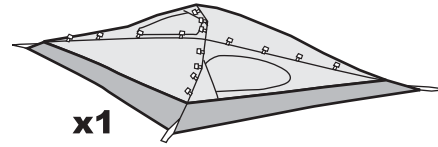
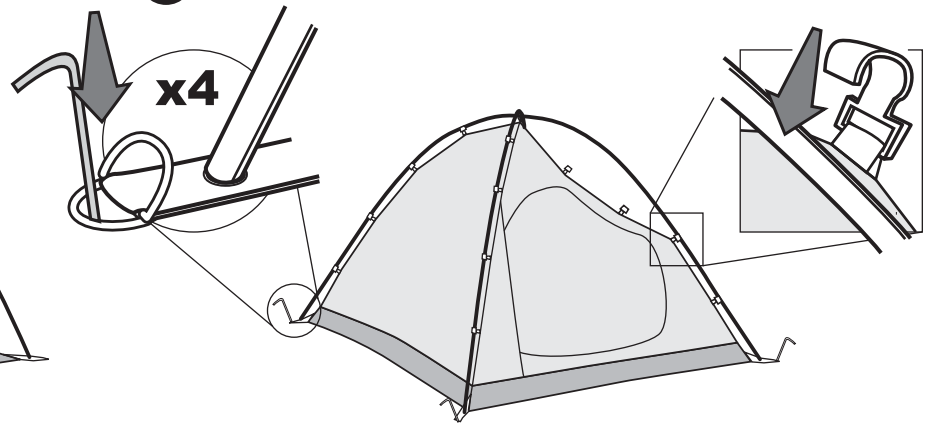
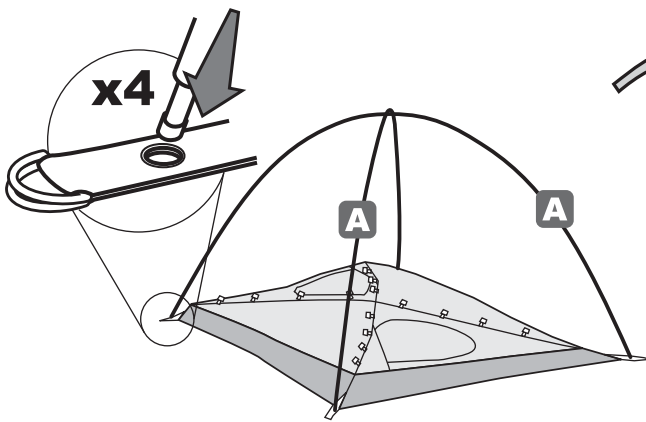


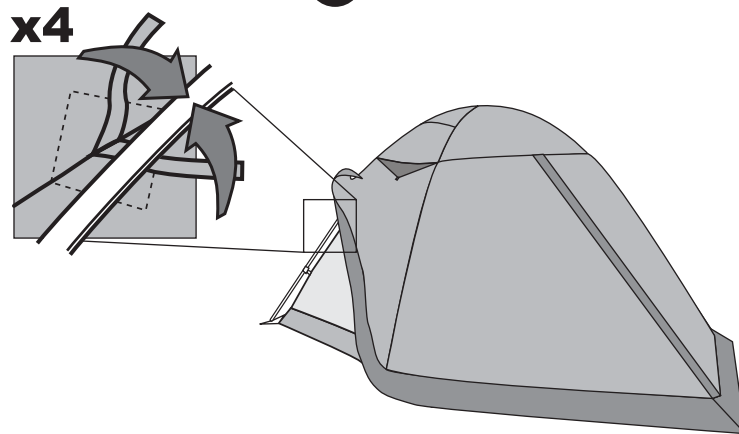
A x2



1



2



3

